

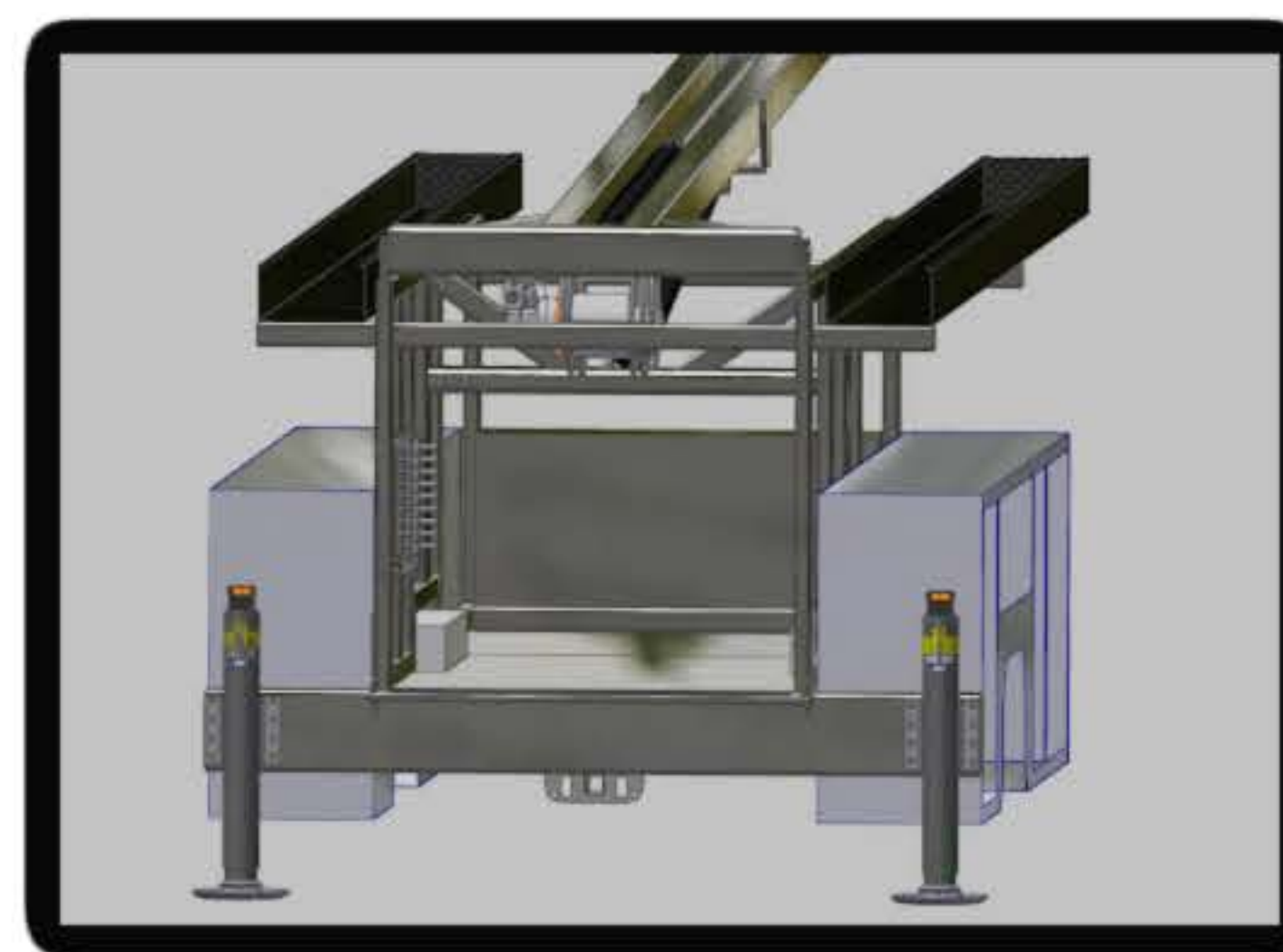


H2 PUMP HOIST

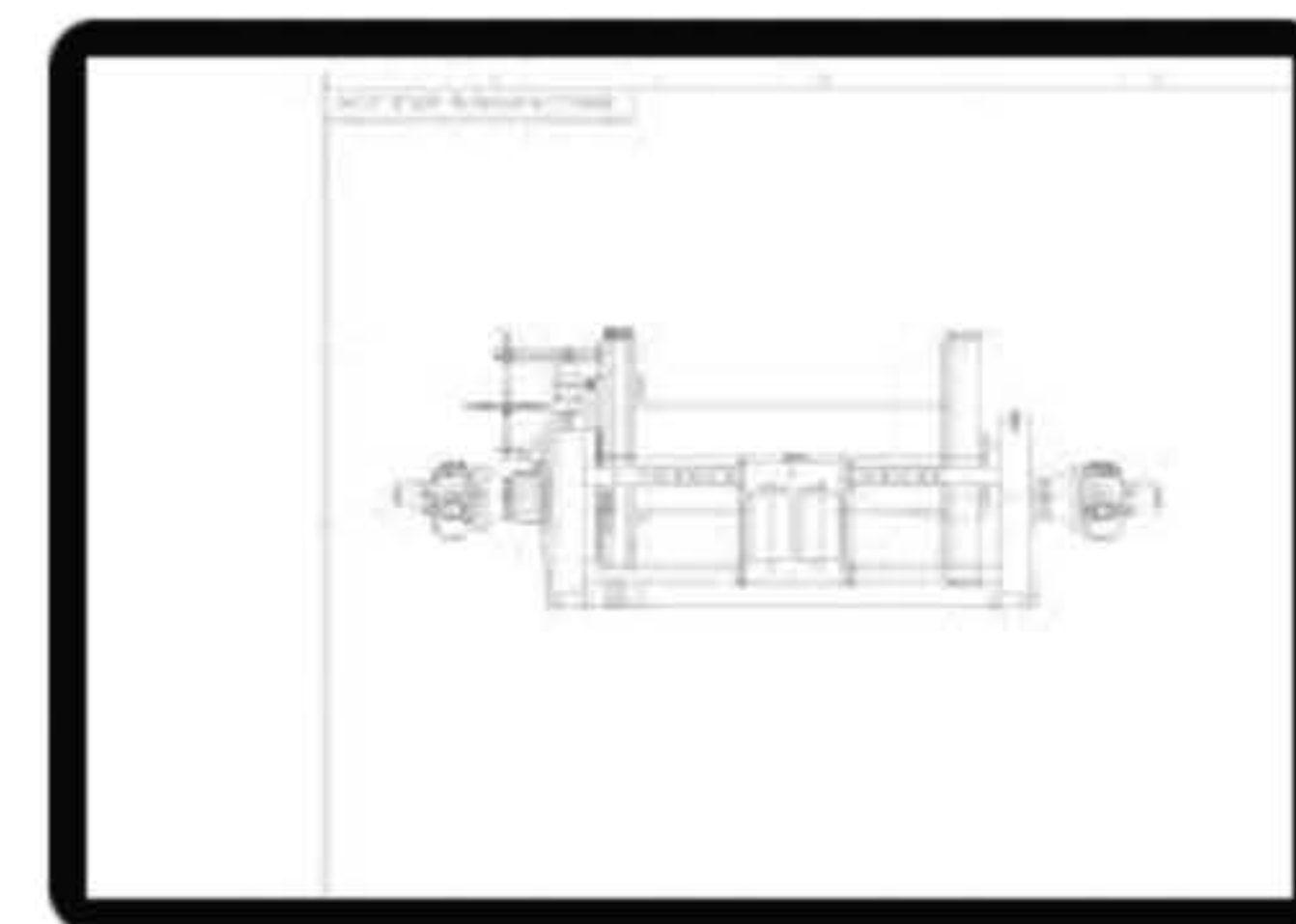
FEATURES



Parker Hydraulics are featured throughout making parts and service available everywhere in the world



Open bed design features the most bed space available in its class



Winches are capable of speeds up to 200 fpm making it the fastest winches on the market

SPECS

- Capable of pulling 2,000 lbs. on a 1 part line
- Mast Height up to 28 ft.
- Mount to ANY service body or flatbed
- 8 ft. of total layback
- Frame is 49" wide x 8' long
- Total weight - 2,900 LBS.

ADDITIONAL OPTIONS

- AUX hydraulic quick connects at rear for up to 17 gpm of oil supply
- Variable Speed Wireless Remote.
- Wire spool holder
- LED light package
- Wire winder
- Front outrigger with HD bumper
- Pipe Rack - Drive or Pass side
- Manual Tilting Option available