

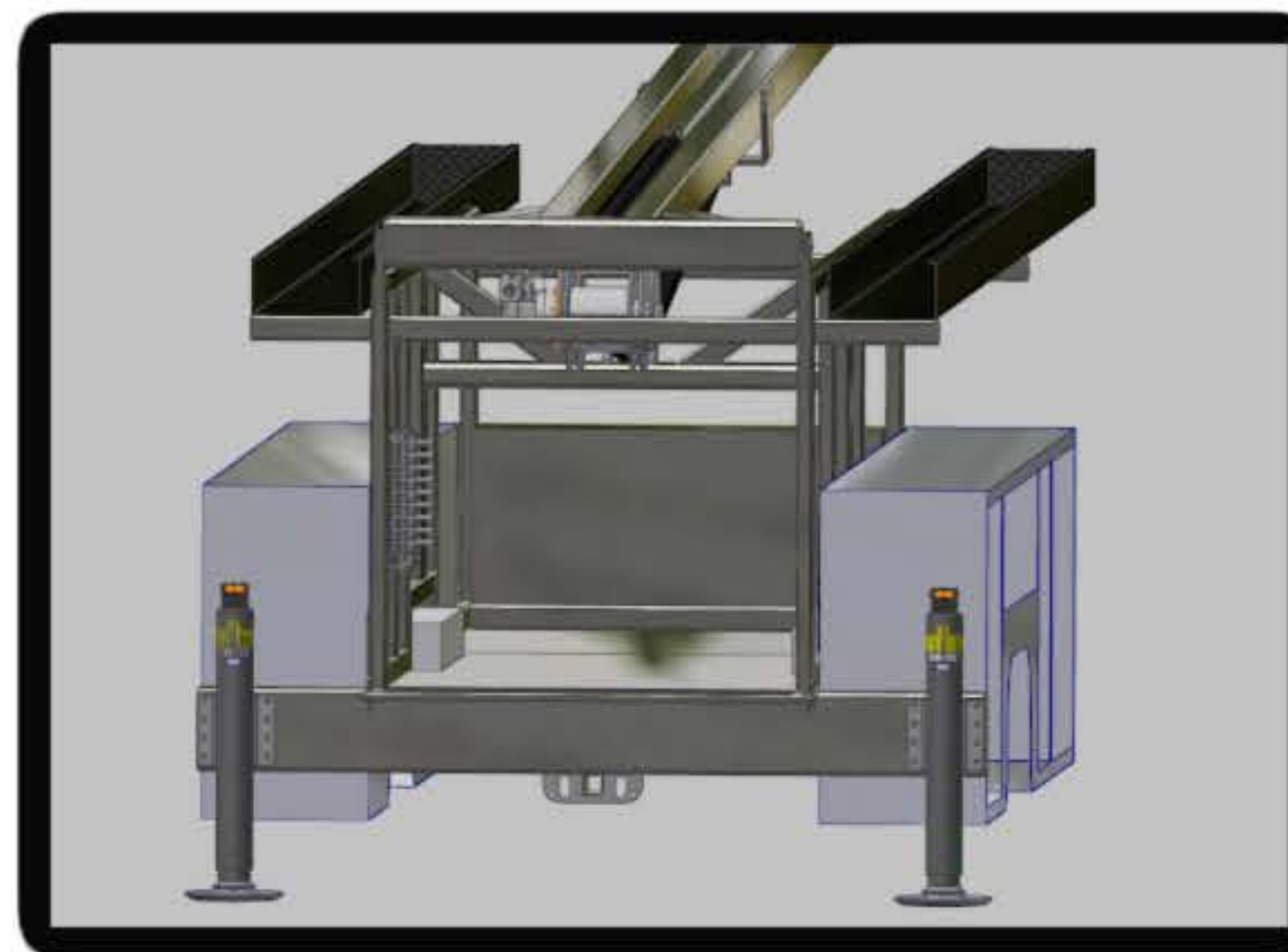


20K PUMP HOIST

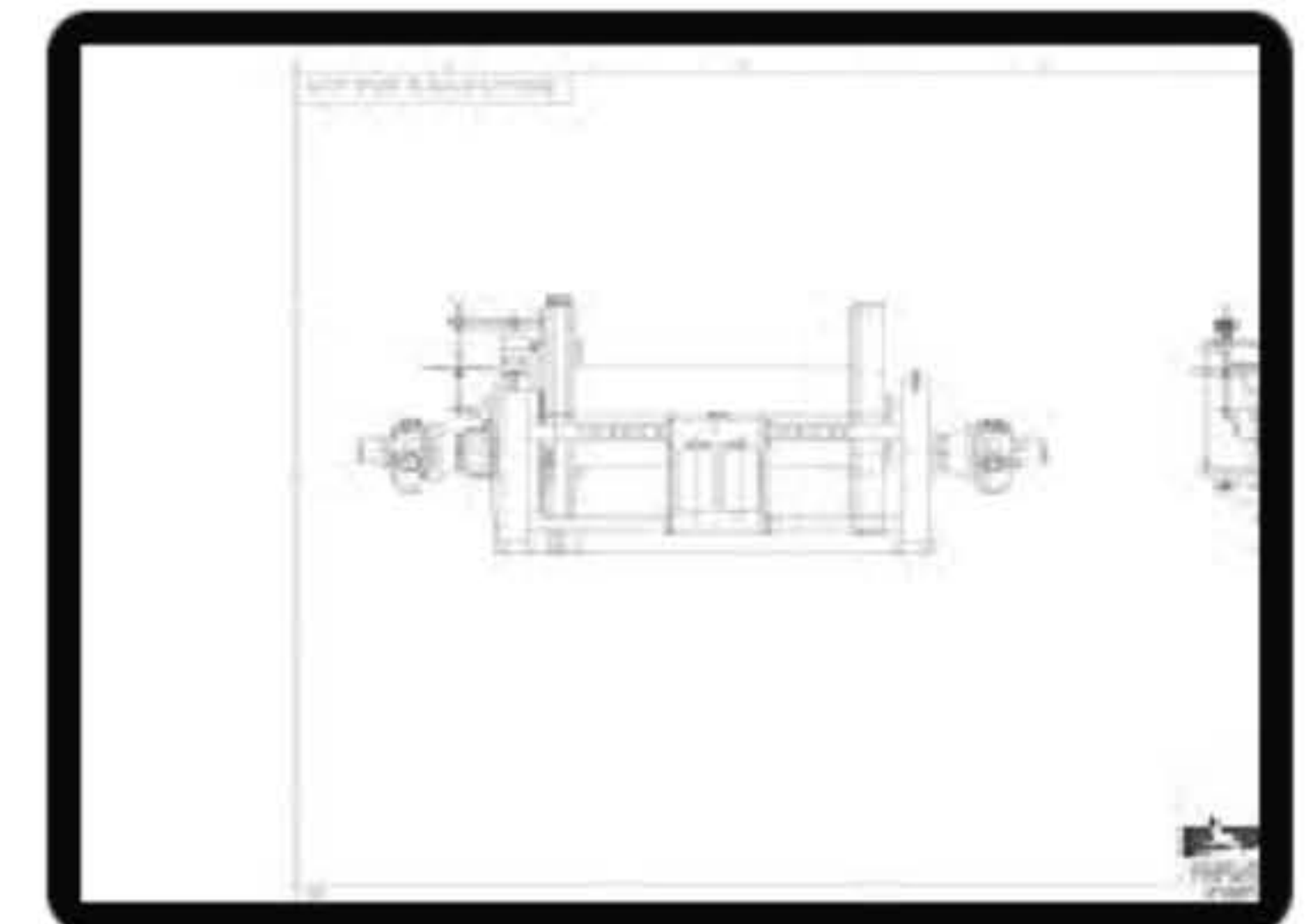
FEATURES



Parker Hydraulics are featured throughout making parts and service available everywhere in the world



Open Bed Design features the most bed space available in its class



Winches are capable of speeds up to 200 fpm making it the fastest winches on the market

SPECS

- Capable of pulling 20,000 lbs. on a 3 part line
- Hydraulic extension up to 36 ft.
- Mount to ANY service body or flatbed
- 12 ft. of total layback
- Frame is 53" wide x 9' long

ADDITIONAL OPTIONS

- AUX hydraulic quick connects at rear for up to 20 gpm of oil supply
- Additional hydraulic extension up to 48 ft.
- Wire spool holder
- LED light package
- Wire winder
- Front outrigger with HD bumper